

VoIP Outdoor Intercom

Newly designed with a faster processor allowing for more capabilities, and increased IP rating for weather protection, the CyberData SIP-enabled VoIP Outdoor Intercom is perfect for settings requiring two-way communication and secure access. The new Weather Shroud (pictured) can be purchased separately for even greater weather protection.

The redesigned case is more secure and has a more streamlined look with increased tamper resistance. One of our most popular devices, the Outdoor Intercom has been installed in nursing care facilities, schools and universities, daycare facilities, retail establishments, highway tolls, and more, proving this device is truly a versatile, cost-efficient alternative to old analog intercoms.

New Features include:

- Faster processor
- Increased IP RATING to IP65
- Now supports SRST (Survivable Remote Site Telephony)
- New streamlined case design
- Optional Weather Shroud (pictured) for even greater weather protection

Features

- PoE 802.3af enabled (Powered-over-Ethernet)
- SIP compliant
- Adaptive full-duplex voice operation
- Network web management
- Network adjustable speaker volume and microphone sensitivity
- Network downloadable firmware
- Doubles as a paging speaker
- Dry relay contact for auxiliary control (controls external power)
- Peer-to-peer capable
- Door closure and tamper alert signal



*Shown with the 011188 Weather Shroud (sold separately)

Specifications

Ethernet I/F	10/100 Mbps
Protocol	SIP RFC 3261 Compatible
Power Input	PoE 802.3af compliant or +8 to +12VDC @ 1000mA Regulated Power Supply
Speaker Output	1 Watt Peak Power
On-Board Relay	1A at 30 VDC
Operating Temperature	-10° C to 50° C (14° F to 122° F)
Payload Types	G711, A-law and μ -law
Dimensions	5.118 inches [130 mm] Length 2.252 inches [57.21 mm] Width 5.118 inches [130 mm] Height
Warranty	2 years limited
Weight	2.0 lbs. (0.90 kg)
Boxed Weight	3.0 lbs. (1.36 kg)
Part Number	011186* 011188 Weather Shroud (sold separately)

*This number replaces the 010935 number.

The following products are also available:



Indoor Intercom
#011211



Emergency Intercom
#011209



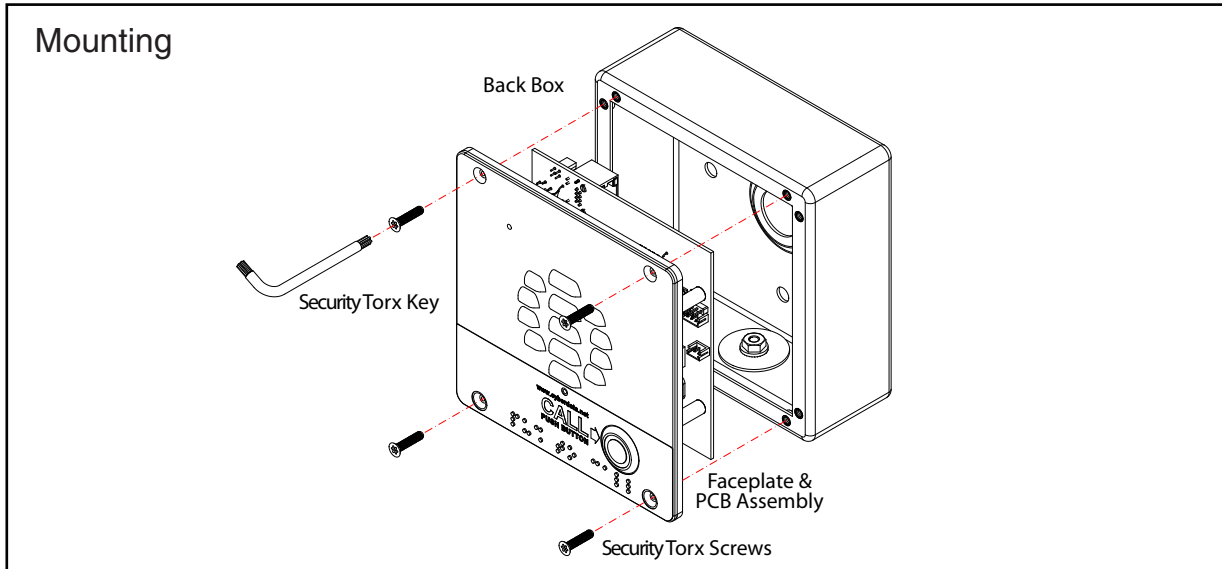
Indoor Intercom (Flush Mount)
#011272



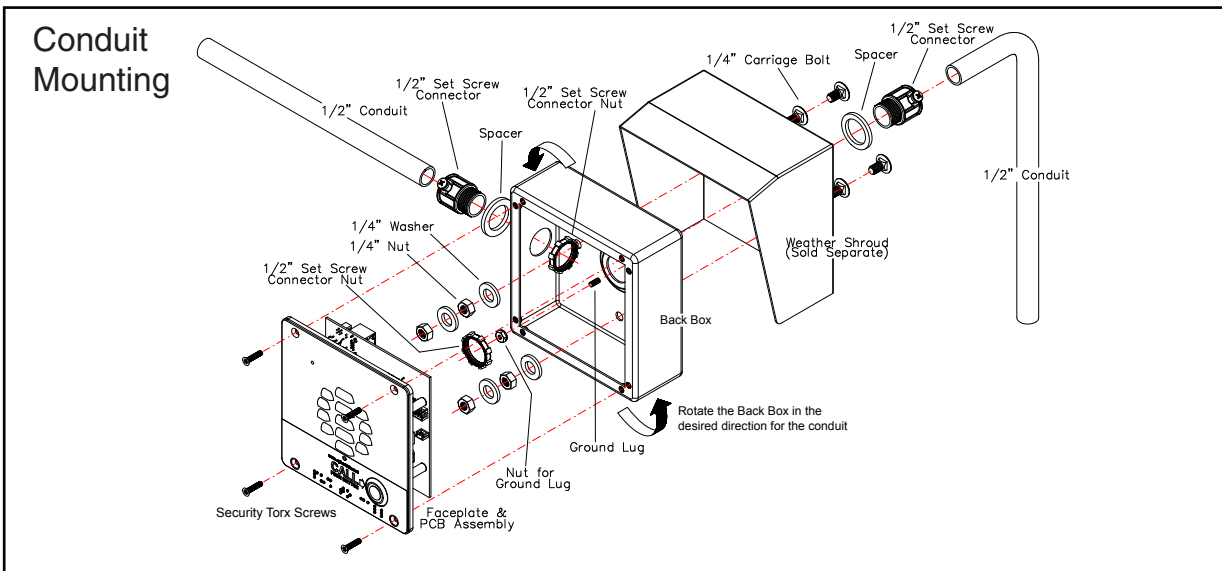
Outdoor Keypad Intercom
#011214

VoIP Outdoor Intercom

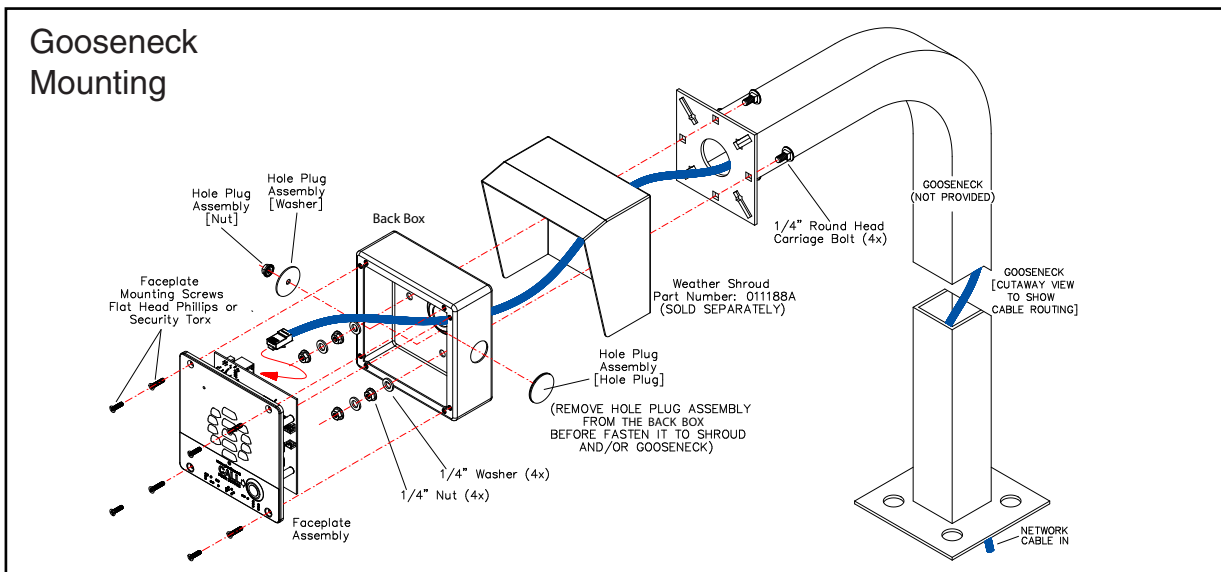
Mounting



Conduit Mounting



Gooseneck Mounting



VoIP Outdoor Intercom

