

SIP Paging Adapter

The CyberData SIP Paging Adapter is a VoIP endpoint that interfaces analog paging systems with SIP and Multicast-based audio sources.

The SPA (SIP Paging Adapter) can be configured to support two separate SIP extensions. SIP extension one passes audio through to the analog output spoken from the caller's handset.

When called, SIP extension two plays a bell audio that can be used as a night ringer when configured in a night ring group.

The SPA supports up to 9 user-uploadable messages that can be played by a DTMF command.

The SPA supports a line-In input for playing background music. During a page or night ring, this input is muted with its output restored once the page has stopped.

Messages can be played either:

- SIP to Analog
- Multicast to analog
- HTTP Command Interface

Features

- Two SIP extensions*
- HTTP Command Interface
- 9 user-uploadable page messages
- 10 channel prioritized Multicast ports
- HTTP Web Interface and setup
- Built-in diagnostics
- 10k Ohm input for background music
- 600 Ohm Balanced audio out
- Unbalanced Line-Out
- Remote amp fault sensor
- DTMF and programmatic controlled Relay
- Delayed page support
- DTMF pass-through
- Cisco SRST
- 10/100 802.3af PoE

*One of these extensions is a dedicated "night ringer," which is not capable of answering a call, and will only play a stored message while the call is ringing.

CyberData
The IP Endpoint Company



Specifications

Protocol	SIP RFC 3261 Compatible
Ethernet I/F	10/100 Mbps
Power Input	PoE 802.3af or 48VDC
Operating Temperature	-10° C to 50° C (14° F to 122° F)
Payload Types	G711
Regulatory Compliance	FCC Class A, UL 62368-1
Page Port Output	Balanced 600 Ohm 5VPP

Line In:

Input Signal Amplitudes	2.0 VPP maximum
Input Impedance	10k Ohm

Line Out:

Output Signal Amplitudes	2.0 VPP maximum
Output Level	+2dBm nominal
Total Harmonic Distortion	0.5% maximum
Output Impedance	10k Ohm

Dimensions	6.11" L x 4.05" W x 1.15" H
------------	-----------------------------

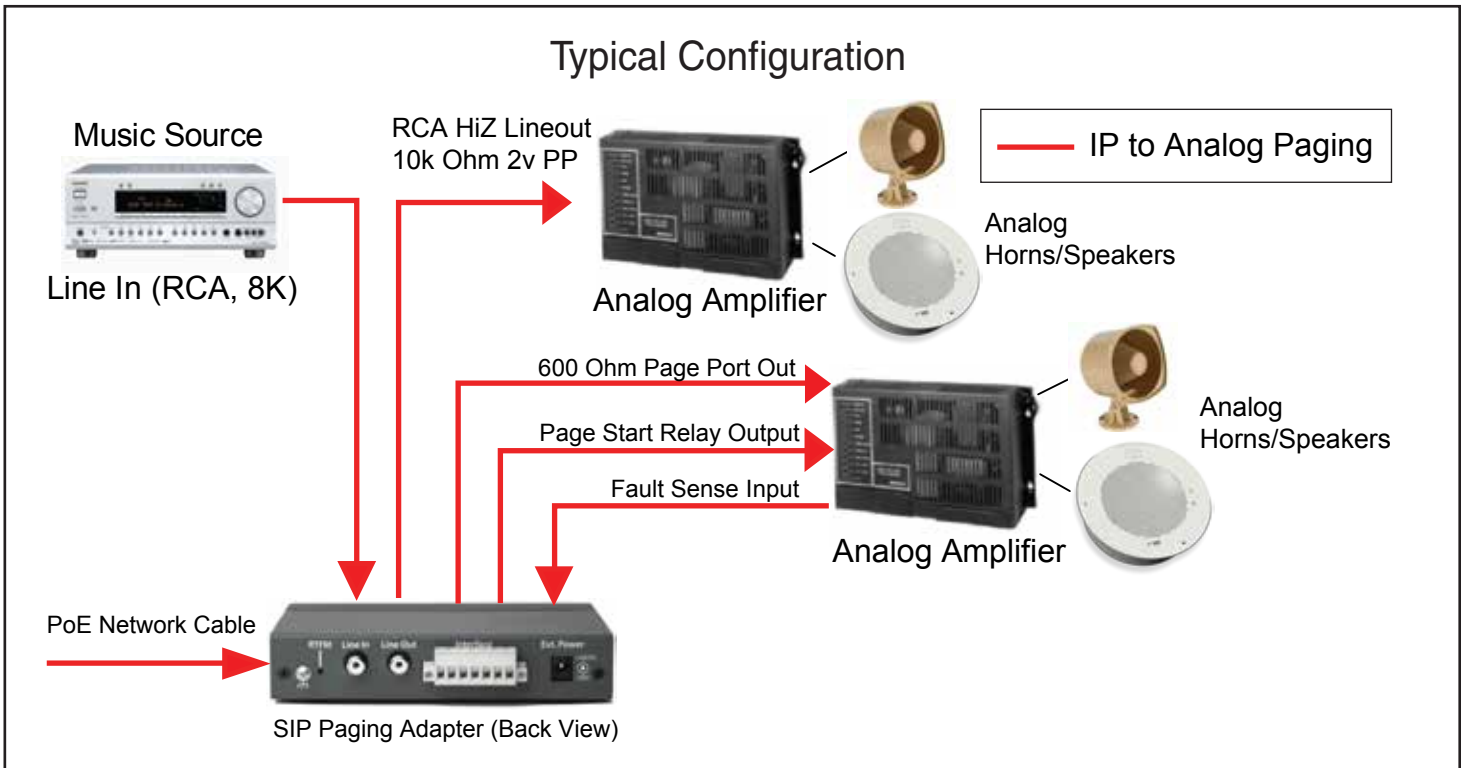
Warranty	2 years limited
----------	-----------------

Boxed Weight	1.8 lbs.
--------------	----------

Part Number	011233
-------------	--------

SIP Paging Adapter

Typical Configuration



Connections

